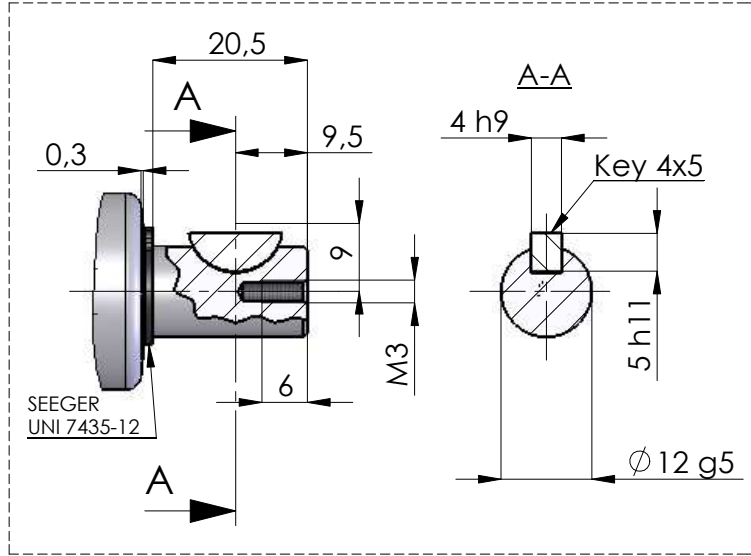
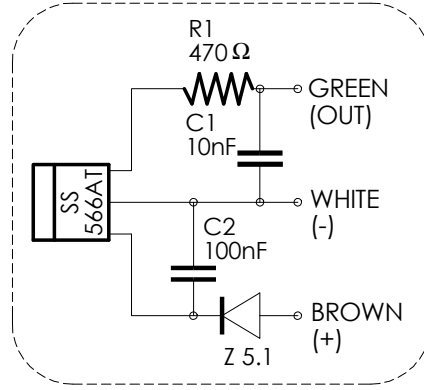


SHAFT DETAIL



ENCODER



STAMP or LABEL

Code 103.730 FCE
24V Week xxyy

xx = production week
yy = production year



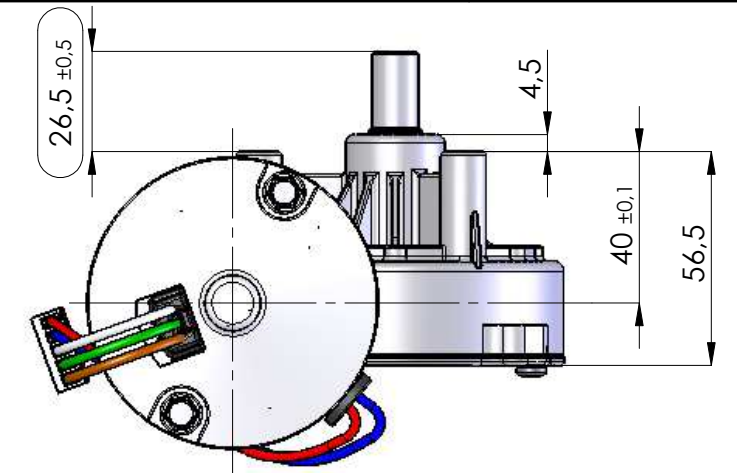
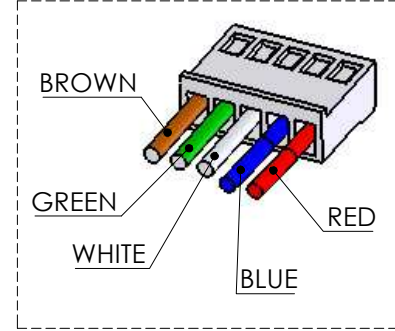
Solicita información
91 366 00 63



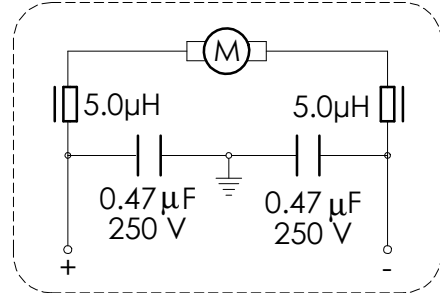
vds basculante 24v

103730 FCE (RIGHT)

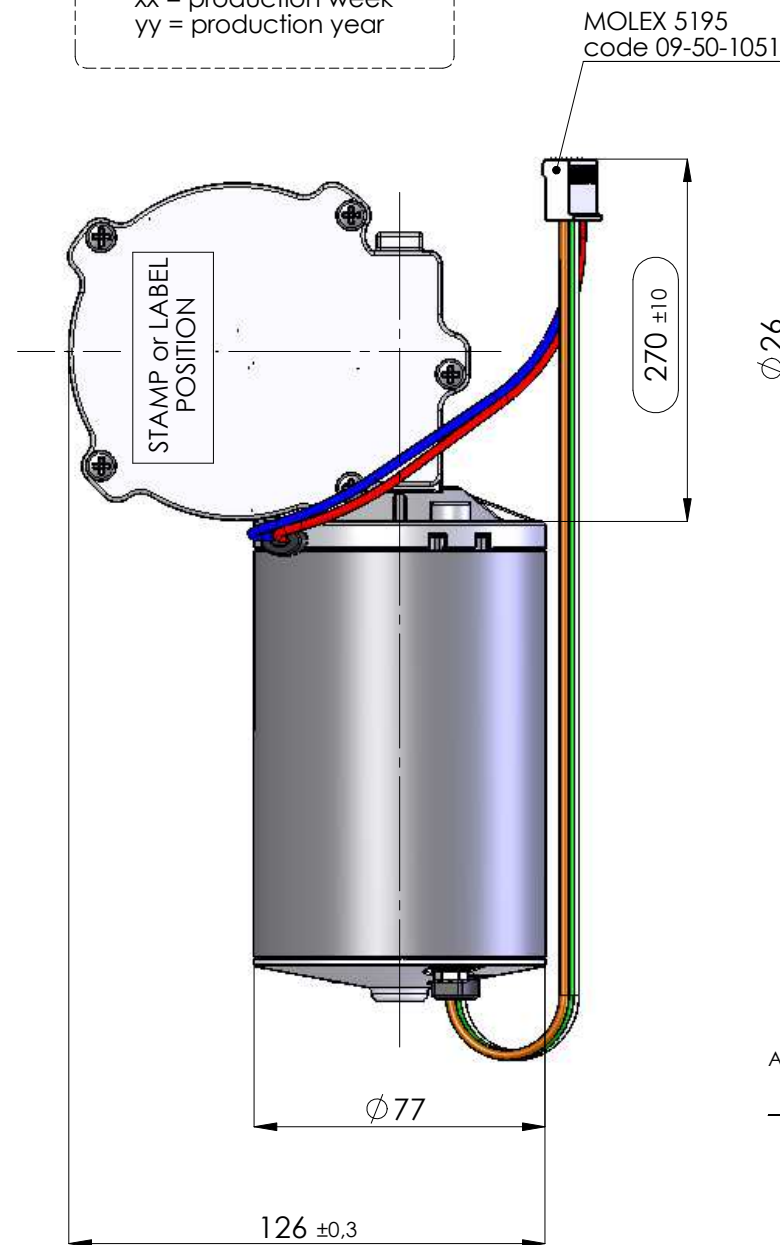
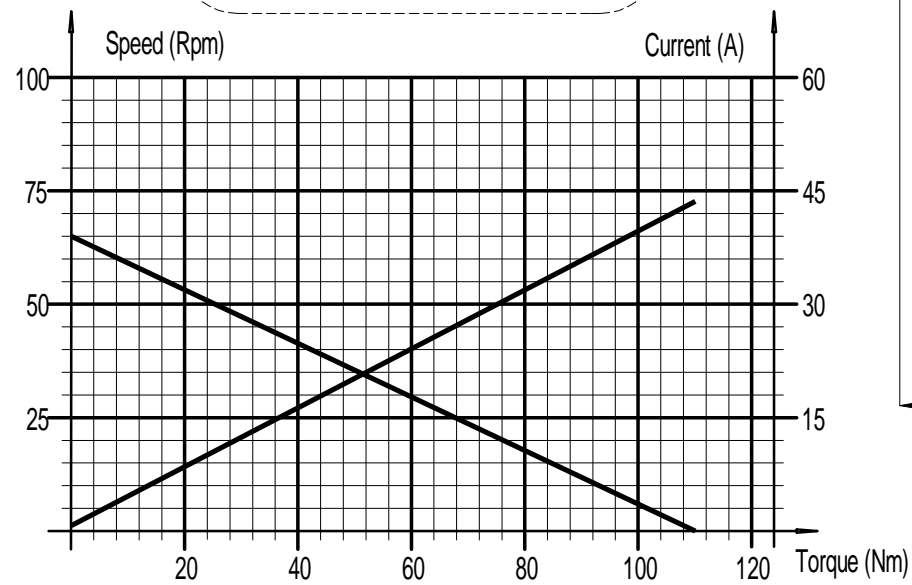
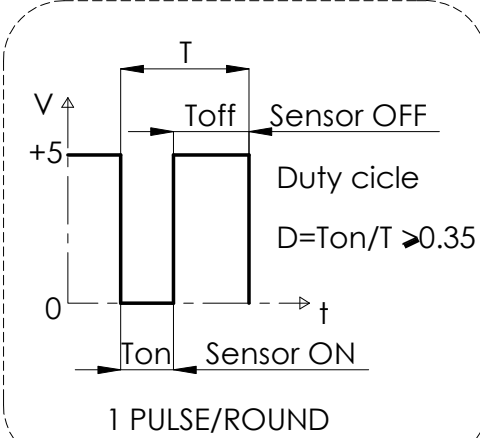
CONNECTION CABLES



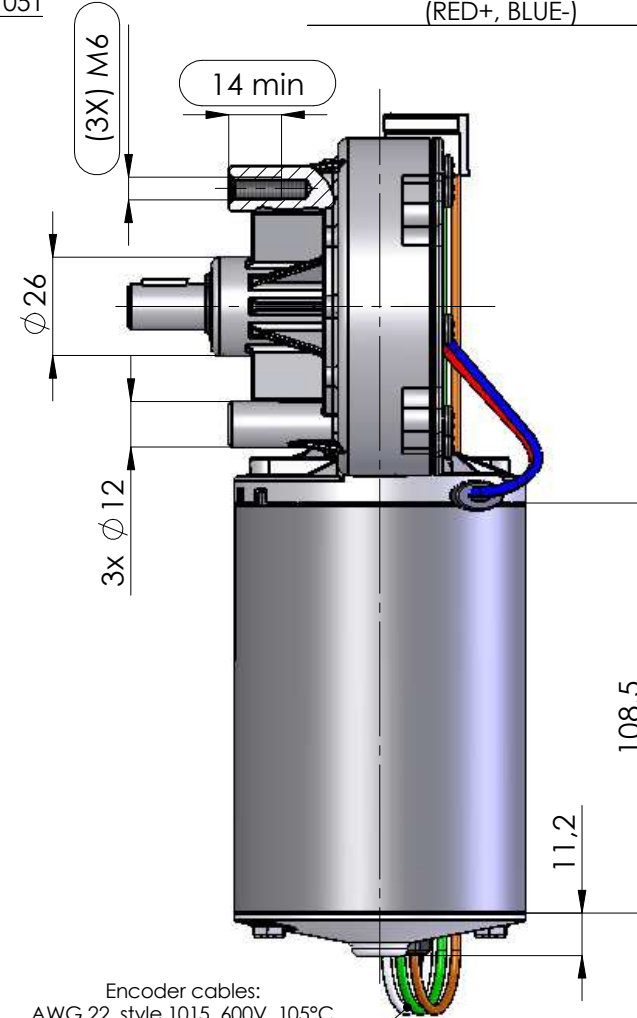
FILTER



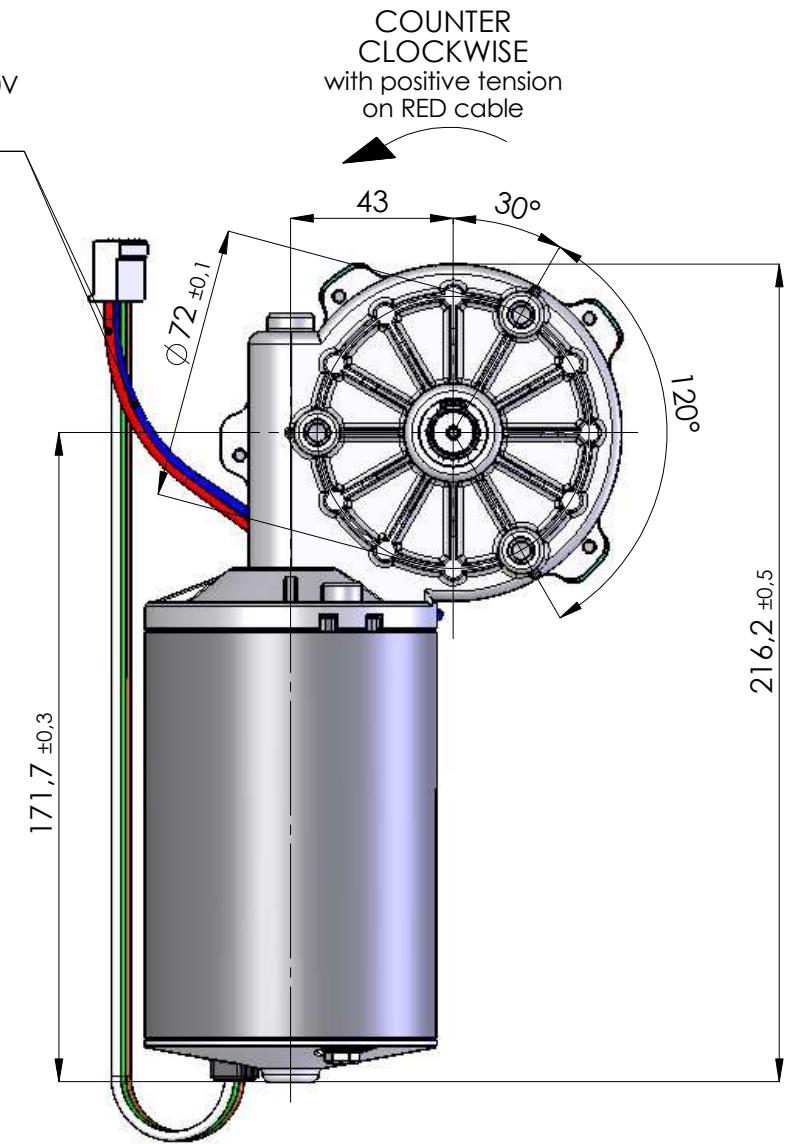
OUTPUT SIGNAL OF HALL SENSOR



Power cables:
AWG 18, style 1569, 105°C, 300V
with terminal MOLEX 5194
(RED+, BLUE-)



Encoder cables:
AWG 22, style 1015, 600V, 105°C
with terminal MOLEX 5194
(Brown, white, green)



R.d.M.	DATE	INDEX	MODIFICATION DESCRIPTION		
NOMINAL TENSION (V)		NO LOAD CURRENT (A)		SPEED (Rpm)	INSULATION CLASS : -
24		1.8 max.		65	PROTECTION CLASS : -
NOMINAL TORQUE (Nm)		STARTING TORQUE (Nm)		NOMINAL POWER (W)	WEIGHT: approx. 2.2 Kg
12.5		110		73	SCALE: 1:2
These are average values when the motor is cold. Divergences of ±10% are possible in the series					
PROJ. :	2305	DATE :	16.06.2015	DRAWER :	Vaccari
CHECK:			APPROV.:		

EC DECLARATION OF CONFORMITY FOR MACHINES (DIRECTIVE 2006/42/EC)

Manufacturer: VDS AUTOMAZIONI srl
Address: VIA CIRCOLARE PIP N. 10 65010 SPOLTRE (PE)

Declares that: Operator mod. 121884/S BASCULANTE 24V

is built to be integrated into a machine or to be assembled with other machinery to create a machine under the provisions of Directive 98/37/EC;

conforms to the essential safety requirements of the following EEC directives:

2006/95/EC Low Voltage Directive
2004/108/EC Electromagnetic Compatibility Directive

and also declares that it is prohibited to put into service the machinery until the machine in which it will be integrated or of which it will become a component has been identified and declared as conforming to the conditions of Directive 2006/42/EEC and subsequent amendments.

July 3, 2018
Technical director

